



## KLIMA-FLEX 可调式升降铰链 180°

该升降铰链专门用于隔热门，与 Klima-flex 第二代门锁铰链搭配使用。允许适用左右安装方式，开启角度为 180°。门处于开启位置时，智能快速释放功能使您无需使用任何工具即可轻松卸下门和门附件。

铰链用铆钉或螺钉安装在门框和门体表面。

提供的门框部分宽度和偏移量介于 0-25 毫米。



### 材质

套筒: 不锈钢 303

门部件: 锌合金, 镀锌

框部件: 尼龙6+30%玻纤

销: 铜, 镀镍

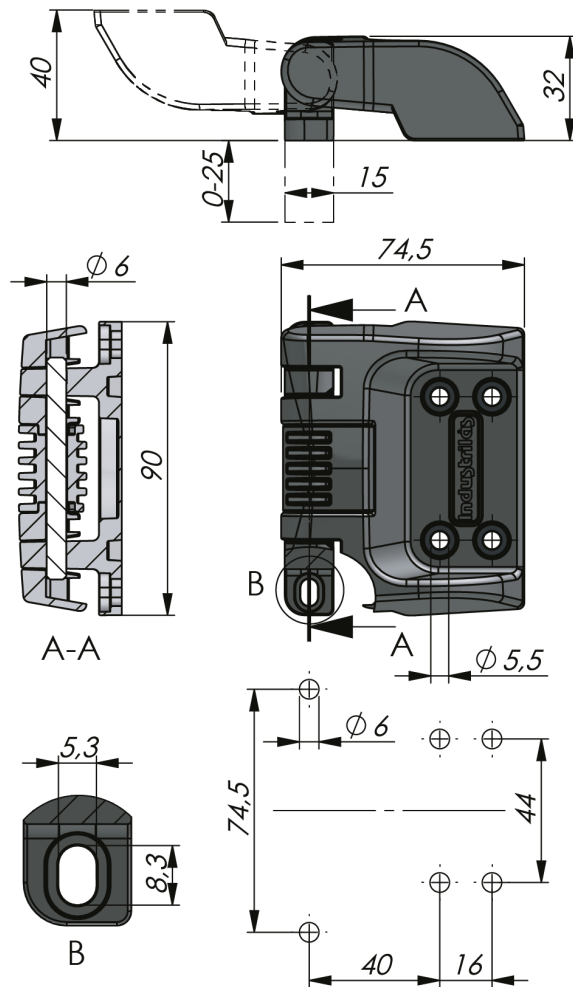
### 相关产品

Latching hinges: 2-317ef

索引编号见网站 [industrilas.com](http://industrilas.com)

### TESTS & STANDARDS

The frame part is the same as for the Compression Latching Hinge on Index Code 3-155ab. This makes it possible whenever needed to switch from a left hinged door to a right hinged door, and vice versa, when this hinge is used in combination with the Compression Latching Hinge on Index Code 3-155ab. With this setup the door can also be removed completely.



**Industrilas**  
— When access counts —